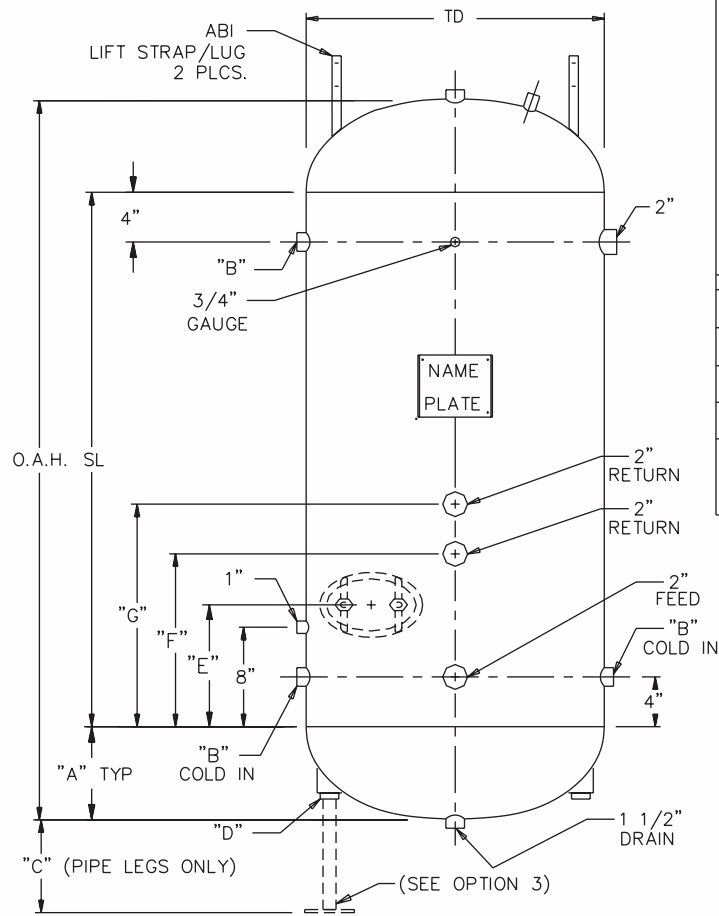
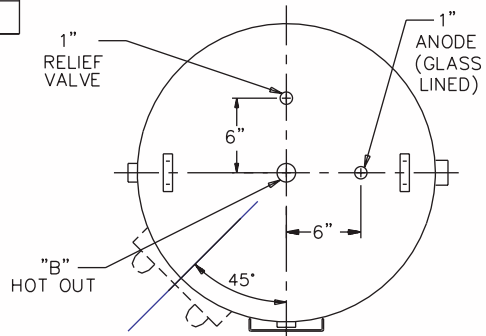


TD	18"	24"-72"
"F"	10"	22"
"G"	14"	26"



SUBMITTAL DRAWING FOR ACE MODEL : SJ \_\_\_\_\_

JOB: \_\_\_\_\_ QTY. REQ'D.: \_\_\_\_\_ SO#: \_\_\_\_\_

REP.: \_\_\_\_\_ ENG.: \_\_\_\_\_

O.A.H. CAPACITY	I D TANK DIAMETER, inches									
	18	24	30	36	42	48	54	60	66	72
SHELL LENGTH, feet	02 36" 36 GAL.	/	/	/	/	/	/	/	/	/
	03 48" 49 GAL.	/	/	/	/	/	/	/	/	/
	04 60" 62 GAL.	63" 117 GAL.	66" 190 GAL.	69" 275 GAL.	72" 390 GAL.	75" 510 GAL.	/	/	/	/
	05 72" 75 GAL.	75" 140 GAL.	78" 225 GAL.	81" 325 GAL.	84" 460 GAL.	87" 605 GAL.	90" 740 GAL.	93" 940 GAL.	96" 1155 GAL.	99" 1405 GAL.
	06 87" 163 GAL.	90" 260 GAL.	93" 375 GAL.	96" 530 GAL.	99" 700 GAL.	102" 860 GAL.	105" 1085 GAL.	108" 1330 GAL.	111" 1615 GAL.	114" 2035 GAL.
	07 102" 295 GAL.	105" 425 GAL.	108" 600 GAL.	111" 795 GAL.	114" 980 GAL.	117" 1230 GAL.	120" 1505 GAL.	123" 1825 GAL.	126" 2245 GAL.	129" 2835 GAL.
	08 117" 475 GAL.	120" 670 GAL.	123" 890 GAL.	126" 1100 GAL.	129" 1375 GAL.	132" 1680 GAL.	135" 2035 GAL.	138" 2445 GAL.	141" 2910 GAL.	144" 3435 GAL.
	09 132" 720 GAL.	135" 945 GAL.	138" 1190 GAL.	141" 1455 GAL.	144" 1740 GAL.	147" 2055 GAL.	150" 2390 GAL.	153" 2745 GAL.	156" 3120 GAL.	159" 3510 GAL.
	HEAD DEPTH "A"	6"	7 1/2"	9"	10 1/2"	12"	13 1/2"	15"	16 1/2"	18"
CONN. SIZE "B"	1 1/2"	1 1/2"	2"	2"	2"	3"	3"	3"	3"	3"
TANK CLEAR. "C"	8"	8 1/2"	11"	9 1/2"	13 1/2"	12"	10"	9"	10"	9 1/2"
(QTY) LEG CPLG. "D"	(3)1 1/2"	(3)1 1/2"	(3)1 1/2"	(3)1 1/2"	(3)2"	(3)2"	(3)2 1/2"	(4)2 1/2"	(4)2 1/2"	(4)2 1/2"
LOCATION "E"	---	---	12"	12"	14"	14"	14"	16"	16"	16"
INSPECT. OPENING	1 1/2"	1 1/2"	12x16/lined 2"/unlined	12x16/lined 2"/unlined	12"x16" MANWAY	12"x16" MANWAY	12"x16" MANWAY	12"x16" MANWAY	12"x16" MANWAY	12"x16" MANWAY

**OPTIONS**

- INTERIOR LINING :
  - NONE (390°F MAX.)
  - GLASS (160°F MAX.)
  - CEMENT (180°F MAX.)
  - PREKRETE (350°F MAX.)
- EXTERIOR INSULATION :
  - NONE (PRIMERED EXTERIOR ONLY)
  - 1 1/2"TK., PRIMERED JACKET
  - 1 1/2"TK., SST JACKET
  - OTHER \_\_\_\_\_
- SUPPORTS (REQ'D. IF EXTERIOR INSULATED) :
  - NONE
  - PIPE LEGS, SET
  - PIPE LEGS W/PADS, SET (SHOWN)
  - ANGLE LEGS W/PADS (DIM. "C"=8")
  - OTHER \_\_\_\_\_

**SPECIFICATIONS**

MODEL : ACE "SJ" STORAGE TANK  
 CONFORMS TO : ASME CODE, SECTION VIII, DIV. 1  
 RATING : 150 PSI @ 390°F  
 SHELL / HEADS : CARBON STEEL  
 FITTINGS : CARBON STEEL, FPT (UNLINED TANKS)  
 STAINLESS STEEL, FPT (LINED TANKS)

SUBMITTED BY: \_\_\_\_\_  
 DATE: 09/01/00 REV.: A-12/01/01



**ACE BOILER INC.**  
 A DIVISION OF AJAX BOILER INC.  
 2701 S. Harbor Blvd.  
 Santa Ana, CA 92704  
 Telephone (714) 437-9050

NOMINAL DIMENSIONS & CAPACITIES SHOWN

VERTICAL SEC. VIII STORAGE TANK - SERIES SJ

SECTION 763-A  
 EFFECTIVE  
 SEPT. 2000