

SUBMITTAL DRAWING
FOR ACE MODEL : SJ _____

JOB: _____

QTY. REQ'D.: _____ SO#: _____

REP.: _____

ENG.: _____

SPECIFICATIONS

MODEL : ACE "SJ" STORAGE TANK

CONFORMS TO : ASME CODE, SECTION VIII, DIV. 1

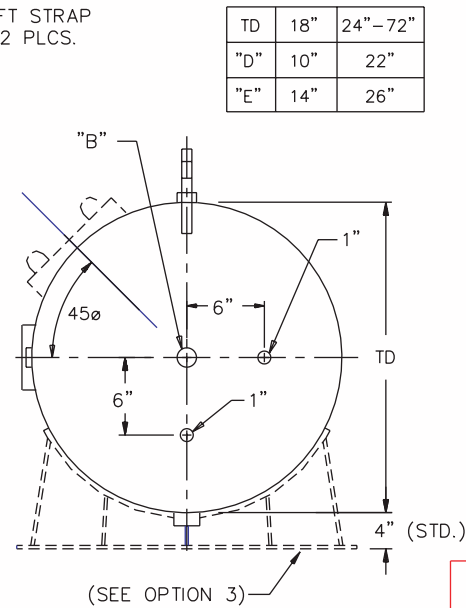
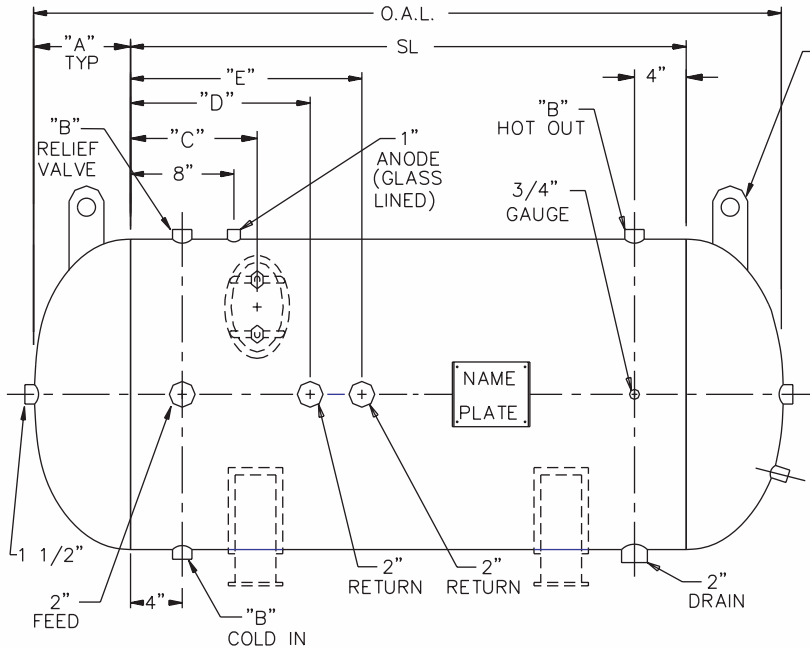
RATING : 150 PSI @ 390°F

SHELL / HEADS : CARBON STEEL

FITTINGS : CARBON STEEL, FPT (UNLINED TANKS)

STAINLESS STEEL, FPT (LINED TANKS)

O.A.L. CAPACITY	I D TANK DIAMETER, inches										
	18"	24"	30"	36"	42"	48"	54"	60"	66"	72"	
SHELL LENGTH, feet	02	36" 36 GAL.	/	/	/	/	/	/	/	/	/
	03	48" 49 GAL.	/	/	/	/	/	/	/	/	/
	04	60" 62 GAL.	63" 117 GAL.	66" 190 GAL.	69" 275 GAL.	72" 390 GAL.	75" 510 GAL.	/	/	/	/
	05	72" 75 GAL.	75" 140 GAL.	78" 225 GAL.	81" 325 GAL.	84" 460 GAL.	87" 605 GAL.	90" 740 GAL.	93" 940 GAL.	96" 1155 GAL.	99" 1405 GAL.
	06	/	87" 163 GAL.	90" 260 GAL.	93" 375 GAL.	96" 530 GAL.	99" 700 GAL.	102" 860 GAL.	105" 1085 GAL.	108" 1330 GAL.	111" 1615 GAL.
	07	/	/	102" 295 GAL.	105" 425 GAL.	108" 600 GAL.	111" 795 GAL.	114" 980 GAL.	117" 1230 GAL.	120" 1505 GAL.	123" 1825 GAL.
	08	/	/	/	117" 475 GAL.	120" 670 GAL.	123" 890 GAL.	126" 1100 GAL.	129" 1375 GAL.	132" 1680 GAL.	135" 2035 GAL.
	09	/	/	/	/	/	/	/	141" 1520 GAL.	144" 1855 GAL.	147" 2245 GAL.
	HEAD DEPTH	"A"	6"	7 1/2"	9"	10 1/2"	12"	13 1/2"	15"	16 1/2"	18"
CONN. SIZE	"B"	1 1/2"	1 1/2"	2"	2"	2"	3"	3"	3"	3"	3"
LOCATION	"C"	---	---	12"	12"	14"	14"	14"	16"	16"	16"
INSPECT. OPENING		1 1/2"	1 1/2"	12x16/lined 2"/unlined	12x16/lined 2"/unlined	12"x16" MANWAY	12"x16" MANWAY	12"x16" MANWAY	12"x16" MANWAY	12"x16" MANWAY	12"x16" MANWAY



TD	18"	24"-72"
"D"	10"	22"
"E"	14"	26"

OPTIONS

- INTERIOR LINING :
 - NONE (390°F MAX.)
 - GLASS (160°F MAX.)
 - CEMENT (180°F MAX.)
 - PREKRETE (350°F MAX.)
- EXTERIOR INSULATION :
 - NONE (PRIMERED EXTERIOR ONLY)
 - 1 1/2"TK., PRIMERED JACKET
 - 1 1/2"TK., SST JACKET
 - OTHER _____
- SUPPORTS (REQ'D. IF EXTERIOR INSULATED) :
 - NONE
 - STD. TYPE "B" SADDLES (SHOWN)
 - LOOSE
 - WELDED
 - OTHER _____

SUBMITTED BY: _____
DATE: 09/01/00 REV.: A-12/01/01



ACE BOILER INC.
A DIVISION OF AJAX BOILER INC.
2701 S. Harbor Blvd.
Santa Ana, CA 92704
Telephone (714) 437-9050

NOMINAL DIMENSIONS & CAPACITIES SHOWN

HORIZONTAL SEC. VIII STORAGE TANK - SERIES SJ

SECTION 764
EFFECTIVE
SEPT. 2000