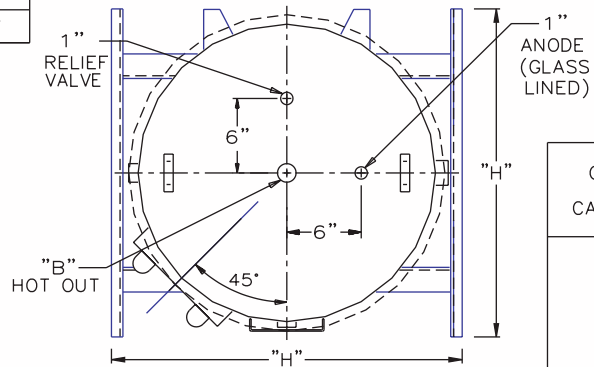


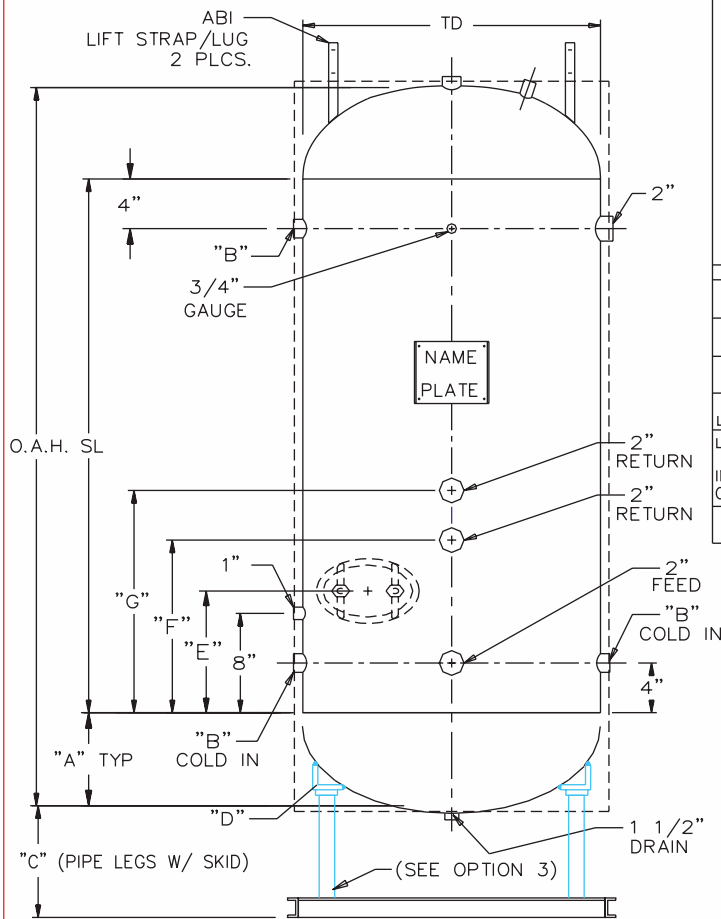
TD	18"	24"-72"
"F"	10"	22"
"G"	14"	26"



SUBMITTAL DRAWING FOR ACE MODEL : SD _____

JOB: _____ QTY. REQ'D.: _____ SO#: _____

REP.: _____ ENG.: _____



O.A.H. CAPACITY	I D TANK DIAMETER, inches										
	18	24	30	36	42	48	54	60	66	72	
SHELL LENGTH, feet	02	36"									
		36 GAL.									
	03	48"									
		49 GAL.									
	04	60"	63"	66"	69"	72"	75"				
		62 GAL.	117 GAL.	190 GAL.	275 GAL.	390 GAL.	510 GAL.				
	05	72"	75"	78"	81"	84"	87"	90"	93"	96"	99"
		75 GAL.	140 GAL.	225 GAL.	325 GAL.	460 GAL.	605 GAL.	740 GAL.	940 GAL.	1155 GAL.	1405 GAL.
	06		87"	90"	93"	96"	99"	102"	105"	108"	111"
		163 GAL.	260 GAL.	375 GAL.	530 GAL.	700 GAL.	860 GAL.	1085 GAL.	1330 GAL.	1615 GAL.	
07			102"	105"	108"	111"	114"	117"	120"	123"	
			295 GAL.	425 GAL.	600 GAL.	795 GAL.	980 GAL.	1230 GAL.	1505 GAL.	1825 GAL.	
08				117"	120"	123"	126"	129"	132"	135"	
				475 GAL.	670 GAL.	890 GAL.	1100 GAL.	1375 GAL.	1680 GAL.	2035 GAL.	
09								141"	144"	147"	
								1520 GAL.	1855 GAL.	2245 GAL.	
HEAD DEPTH	"A"	6"	7 1/2"	9"	10 1/2"	12"	13 1/2"	15"	16 1/2"	18"	19 1/2"
CONN. SIZE	"B"	1 1/2"	1 1/2"	2"	2"	2"	3"	3"	3"	3"	3"
TANK CLEAR.	"C"	11"	11 1/2"	14"	12 1/2"	16 1/2"	16"	14"	14"	15"	15 1/2"
(QTY) LEG CPLG.	"D"	(4) 1 1/2"	(4) 1 1/2"	(4) 1 1/2"	(4) 1 1/2"	(4) 2"	(4) 2"	(4) 2 1/2"	(4) 2 1/2"	(4) 2 1/2"	(4) 2 1/2"
LOCATION	"E"	---	---	12"	12"	14"	14"	14"	16"	16"	16"
INSPECT. OPENING		1 1/2"	1 1/2"	12x16/lined 2"/unlined	12x16/lined 2"/unlined	12"x16" MANWAY	12"x16" MANWAY	12"x16" MANWAY	12"x16" MANWAY	12"x16" MANWAY	12"x16" MANWAY
SKID CLEAR.	"H"	22"	28"	34"	40"	46"	52"	58"	64"	70"	76"

OPTIONS

- INTERIOR LINING :
 - NONE (390°F MAX.)
 - GLASS (160°F MAX.)
 - CEMENT (180°F MAX.)
 - PREKRETE (350°F MAX.)
- EXTERIOR INSULATION :
 - 1 1/2"TK., PRIMERED JACKET
 - 1 1/2"TK., SST JACKET
 - OTHER _____
- SUPPORTS (REQ'D. IF EXTERIOR INSULATED) :
 - PIPE LEGS W/ SKID (SHOWN)
 - OTHER _____

SPECIFICATIONS

MODEL : ACE "SD" STORAGE TANK
 CONFORMS TO : ASME CODE, SECTION VIII, DIV. 1
 RATING : 125 PSI @ 390°F
 SHELL / HEADS : CARBON STEEL
 FITTINGS : CARBON STEEL, FPT (UNLINED TANKS)
 STAINLESS STEEL, FPT (LINED TANKS)

SUBMITTED BY: _____
 DATE: 09/01/00 REV.: A-12/01/01



ACE BOILER INC.
 A DIVISION OF AJAX BOILER INC.
 2701 S. Harbor Blvd.
 Santa Ana, CA 92704
 Telephone (714) 437-9050

VERTICAL SEC. VIII STORAGE TANK - SERIES SD WITH INSULATION AND JACKETING

SECTION 761-B EFFECTIVE SEPT. 2000

NOMINAL DIMENSIONS & CAPACITIES SHOWN